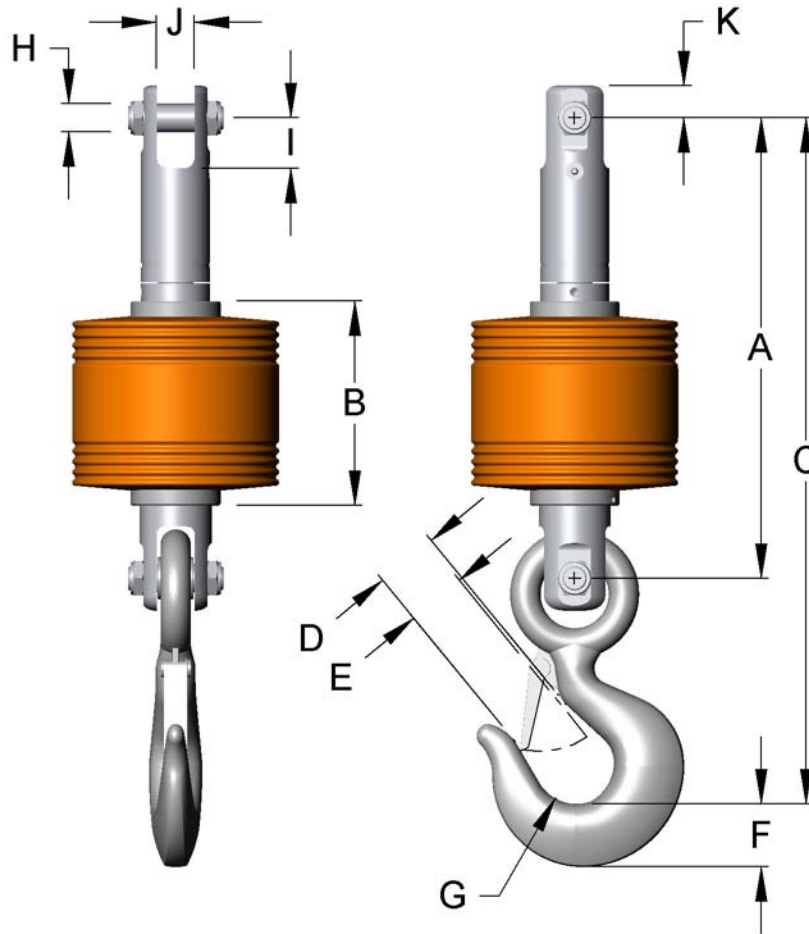


LOAD INSULATORS- ISO/LINK-AC

CLEVIS TO HOOK - TYPE 1

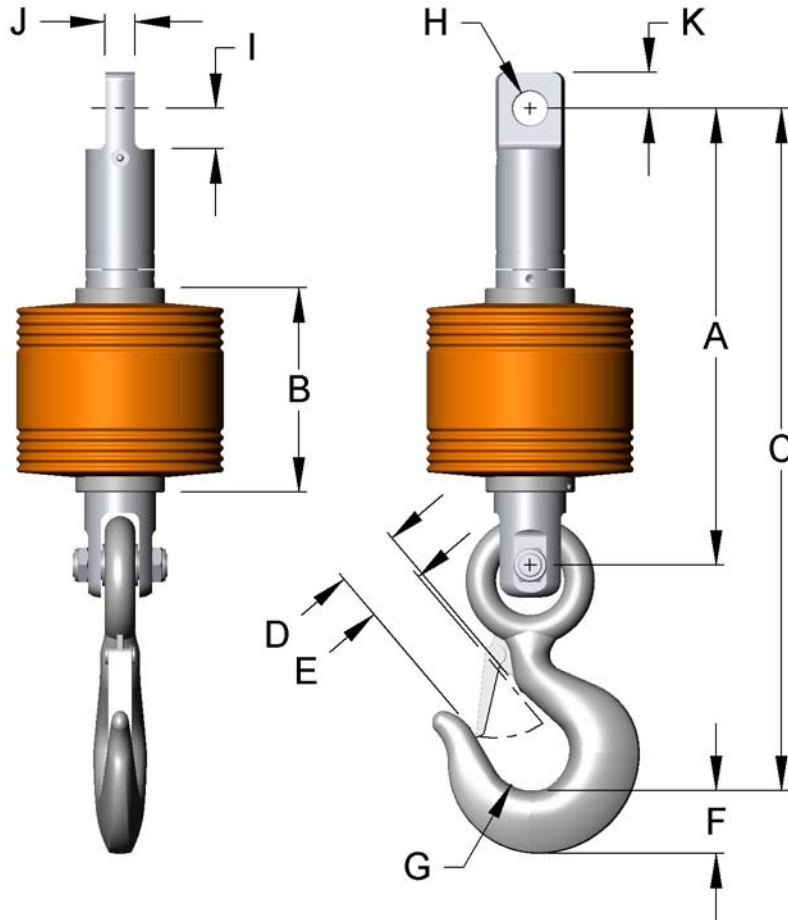


WLL* Tons	Model Number	Rope Size	A	B	C	D	E	F	G	H	I	J	K	Weight Lbs.	LINK DIA	SWIVEL
3	ML6C-1	1/2	13.03	6.13	18.44	1.50	1.03	1.38	1.38	0.75	1.19	.75	0.94	25	5.13	C-113
5	ML6D-1	5/8	15.00	6.13	21.75	1.88	1.69	1.69	1.78	0.88	1.56	1.00	1.13	33	5.13	D-113
5	ML8D-1	5/8	17.38	8.5	24.75	1.88	1.69	1.81	1.78	0.88	1.56	1.00	1.13	77	8.63	D-113
8.5	ML8E-1	3/4	18.94	8.5	28.25	2.50	2.25	2.63	2.56	1.19	2.13	1.56	1.25	96	8.63	EE-113
10	ML8G-1	7/8	24.00	8.5	35.13	3.38	3	3.00	1.88	1.5	3.50	1.75	1.75	144	8.63	G-113
15	ML12GG-1	1	26.00	10.5	37.13	3.38	3	3.00	2.88	1.5	3.50	1.75	1.75	247	11.88	GG-113
25	ML12H-1	1-1/8	28.25	10.5	45.19	4.25	3.75	4.56	3.88	2	3.69	2.00	2.38	342	11.88	H-113
35	ML12.5HH-1	1-1/4	28.25	12.25	45.19	4.25	3.75	4.56	3.88	2	3.69	2.00	2.38	370	12.5	HH-113
45	ML12.5I-1		32.00	12.25	50.94	4.75	4.25	5.06	4.75	2.25	4.00	2.50	3.00	475	12.5	I-113
60	ML12.5JJ-1		32.25	12.25	55	5.75	5.13	6.00	5.69	2.5	4.50	3.00	3.50	620	12.5	JJ-113

* Design factor = 5:1 except for units 45T and higher where Design factor = 4:1 minimum

LOAD INSULATORS- ISO/LINK-AC

EYE TO HOOK - TYPE 2

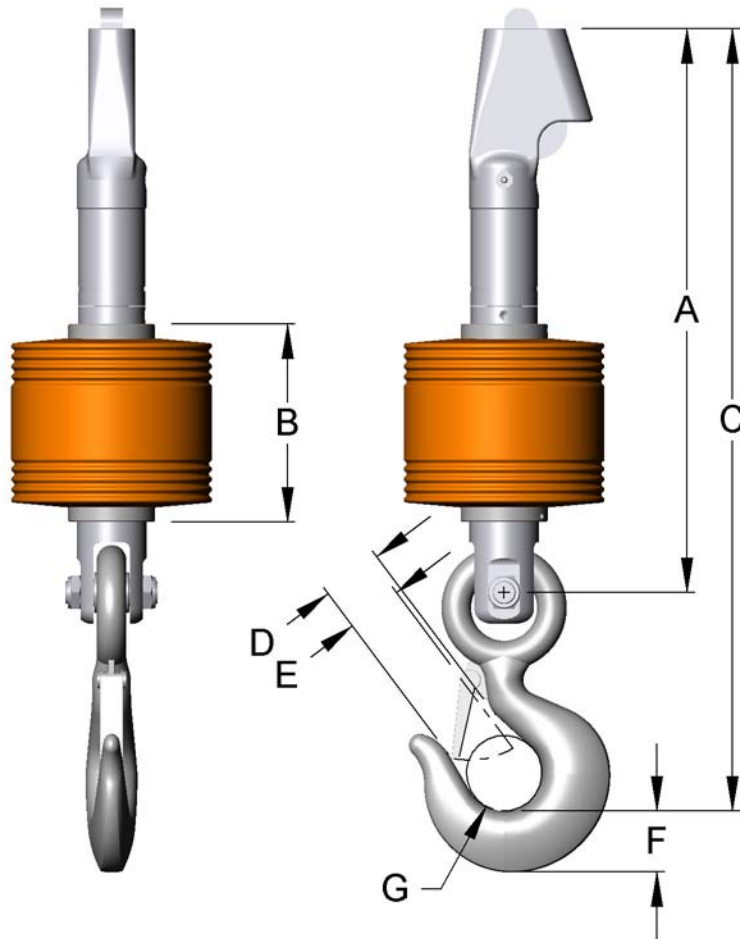


WLL* Tons	Model Number	Rope Size	A	B	C	D	E	F	G	H	I	J	K	Weight Lbs.	LINK DIA	SWIVEL
3	ML6C-2	1/2	13.00	6.13	18.5	1.50	1.69	1.38	1.38	0.91	4.00	.75	1.00	25	5.13	C-213
5	ML6D-2	5/8	14.94	6.13	21.69	1.88	1.69	1.69	1.78	1.28	1.31	1.00	1.19	33	5.13	D-213
5	ML8D-2	5/8	17.31	8.5	24.69	1.88	1.69	1.81	1.78	1.28	1.31	1.00	1.19	77	8.63	D-213
8.5	ML8E-2	3/4	18.75	8.5	28.06	2.50	2.25	2.63	9.56	1.41	1.63	1.25	1.50	96	8.63	EE-213
10	ML8G-2	7/8	23.94	8.5	36.06	3.38	3	3.00	2.88	1.66	2.84	1.75	1.81	144	8.63	G-213
15	ML12GG-2	1	25.94	10.5	37.06	3.38	3	3.00	2.88	2.03	2.84	2.00	2.13	247	11.88	GG-213
25	ML12H-2	1-1/8	28.25	10.5	45.19	4.25	3.75	4.56	3.88	2.31	2.88	2.25	2.38	342	12.5	H-213
35	ML12.5HH-2	1-1/4	28.25	12.25	45.19	4.25	3.75	4.56	2.44	2.31	2.88	2.25	2.38	370	12.5	HH-213
45	ML12.5I-2		32.00	12.25	50.94	4.75	4.25	5.06	2.53	2.53	3.50	2.50	3.00	475	12.5	I-213
60	ML12.5JJ-2		32.25	12.25	55	5.75	5.13	6.00	2.53	2.88	4.00	2.50	3.5	620	12.5	JJ-213

* Design factor = 5:1 except for units 45T and higher where Design factor = 4:1 minimum

LOAD INSULATORS- ISO/LINK-AC

WEDGE TO HOOK - TYPE 3

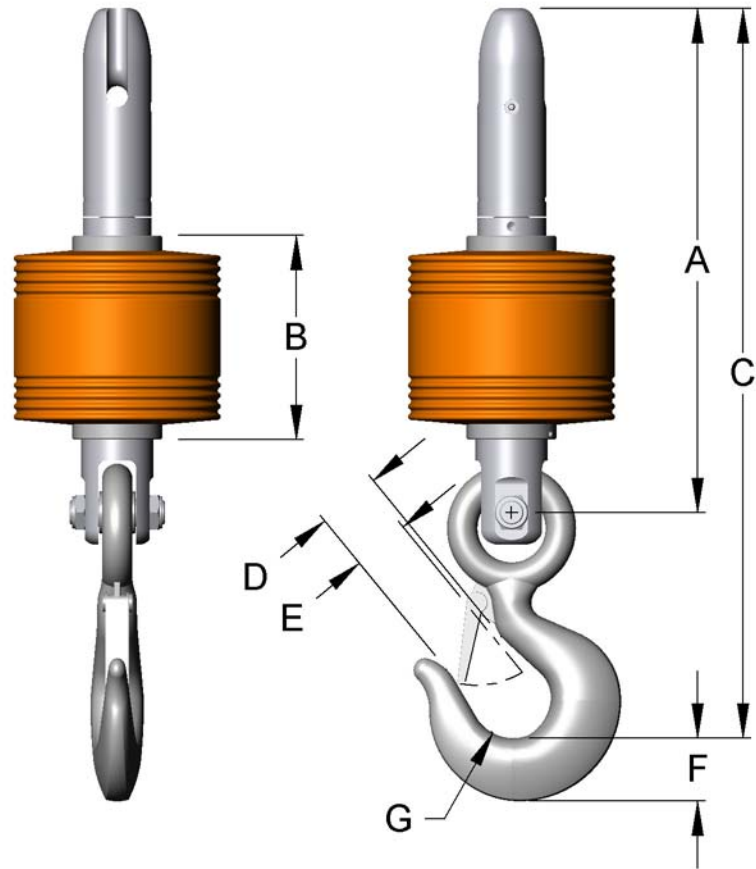


WLL* Tons	Model Number	Rope Size	A	B	C	D	E	F	G	Weight Lbs.	LINK DIA	SWIVEL
3	ML6C-3	1/2	17.19	6.13	22.56	1.50	1.34	1.38	1.38	27	5.13	C-713
5	ML6D-3	1/2, 5/8	19.63	6.13	27.94	1.88	1.69	1.69	1.75	36	5.13	D-713
5	ML8D-3	1/2, 5/8	22.00	8.5	29.38	1.88	1.69	1.81	1.78	80	8.63	D-713
8.5	ML8E-3	1/2, 5/8, 3/4	23.94	8.5	33	2.50	2.25	2.63	2.56	102	8.63	E-713
10	ML8G-3	3/4, 7/8, 1	27.75	8.5	38.88	3.38	3	3.00	2.88	151	8.63	G-713
10	ML12GG-3	3/4, 7/8, 1	29.75	10.5	40.88	3.38	3	3.00	2.88	254	11.88	GG-713

* Design factor = 5:1 except for units 45T and higher where Design factor = 4:1 minimum

LOAD INSULATORS- ISO/LINK-AC

THIMBLE TO HOOK - TYPE 4

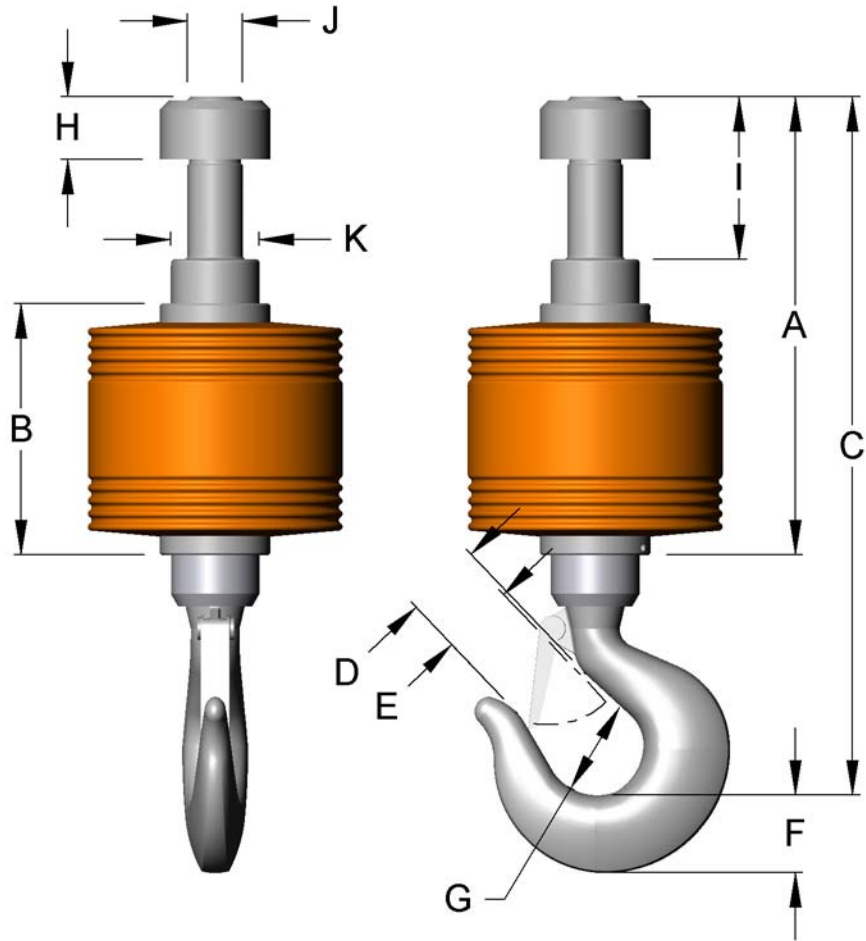


WLL* Tons	Model Number	Rope Size	A	B	C	D	E	F	G	Weight Lbs.	LINK DIA	SWIVEL
3	ML6C-4	1/2	14.84	6.13	20.25	1.50	1.34	1.38	1.38	26	5.13	C-413
5	ML6D-4	5/8	16.38	6.13	24.81	1.88	1.69	1.69	1.75	34	5.13	D-613
5	ML8D-4	5/8	16.00	8.5	23.38	1.88	1.69	1.81	1.78	78	8.63	D-613
8.5	ML8E-4	3/4	20.69	8.5	30	2.50	2.25	2.63	2.56	98	8.63	E-813
10	ML8G-4	7/8	25.50	8.5	36.63	3.38	3	3.00	2.88	148	8.63	G-613
15	ML12GG-4	1	27.50	10.5	38.63	3.38	3	3.00	2.88	251	11.88	GG-613

* Design factor = 5:1 except for units 45T and higher where Design factor = 4:1 minimum

LOAD INSULATORS- ISO/LINK-AC

NON-SWIVELING STUD TO HOOK - TYPE 14

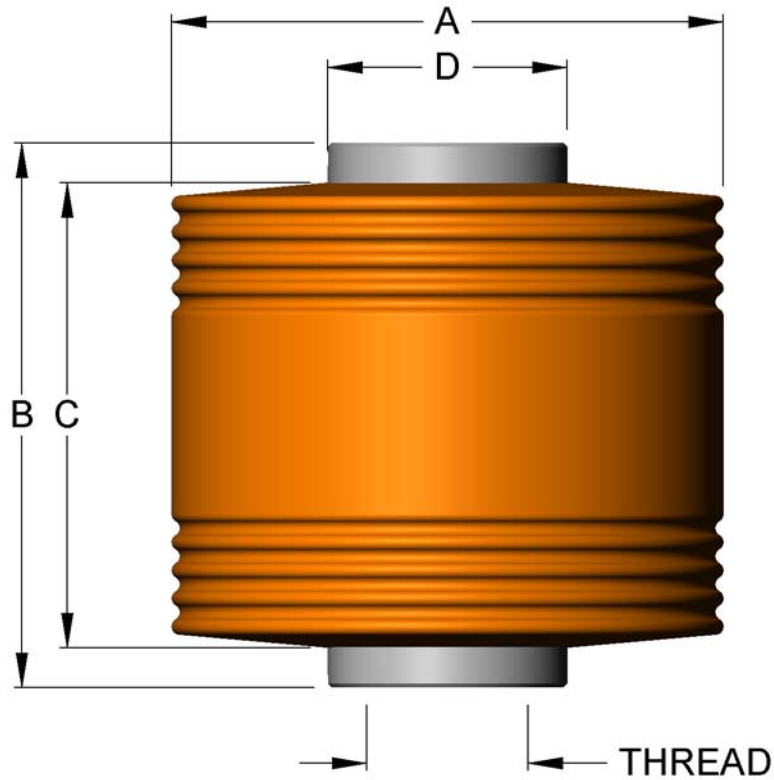


WLL* Tons	Model Number	A	B	C	D	E	F	G	H	I	J	K
5	ML8-14-5-1	14.63	8.5	23.06	2.50	2.25	2.59	8.69	1.56	4.63	1.25-7	3
10	ML8-14-10	13.50	8.5	21.94	2.50	2.25	2.59	8.69	1.31	3.50	1.625-12	3
15	ML12-14-15	16.94	10.5	27.81	3.38	3	3	11.00	1.56	4.38	1.778-12	4
25	ML12-14-25	18.31	10.5	30.06	4.00	3.63	3.66	13.63	2.56	5.31	2.25-12	4
35	ML12.5-14-35	23.00	12.25	35.5	4.25	3.75	4.56	14.06	3	7.75	2.5-12	4.75
60	ML12.5-14-60	25.50	12.25	38.5	5.75	5.13	6	18.50	5.13	10.38	4.0-10	4.5

* Design factor = 5:1

LOAD INSULATORS- ISO/LINK-AC

LINK ONLY



WLL* Tons	Model Number	A	B	C	D	THREAD	Weight Lbs.
5	VD-1	7.38	6.25	5.5	2.25	1.68-12UN	13.7
10	VE	8.62	8.5	7.26	3.75	2.50-8UN	41
25	VG	11.88	10.5	8.75	4.50	3.25-12UN	95
60	VJJ	12.38	12.25	9.75	5.75	4.00-12UN	150

* Design factor 5:1 (Link only)



LOAD INSULATORS- ISO/LINK-DC

Proven Performance in High-Current Environments

ISO/Link-DC insulators have been specially designed for use in the smelting industry. The high temperatures, frequent lifts and strong magnetic fields found in smelting environments were all taken into consideration during the development of this new addition to the ISO/Link Series. By incorporating a G-10 Fiberglass dielectric, the ISO/Link-DC can withstand continuous temperatures as high as 130°C. Every link is tested to 10,000 Volts DC and rated to 1,000 Volts DC.

Problems caused by frequent lifts and tip-loading have been addressed with rigid links, a self-leveling 3-bolt pattern design to eliminate parallelism problems and a link construction that allows regular inspection and maintenance at different levels on site. Complete refurbishment of older units or units under exceptional stress is also offered by Miller.

The unique ISO/Link-DC design takes such industry concerns seriously. That's already helped this link gain quick and enthusiastic acceptance in smelting and industrial welding companies around the world.

Because of its maintenance-oriented design, the ISO/Link-DC is not weatherproof and **must not be used outside.**



ISO/Link-DC

Features

- Rated to 1,000 Volts DC
- Bolts replaceable on site
- Factory refurbishing available
- Withstands continuous heat up to 130°C
- Not compromised by magnetic fields
- Replaceable polyurethane bumpers designed to take brunt of routine impacts
- Rigid link and interposing plate structure for utmost reliability
- Mechanical design factor > 5:1

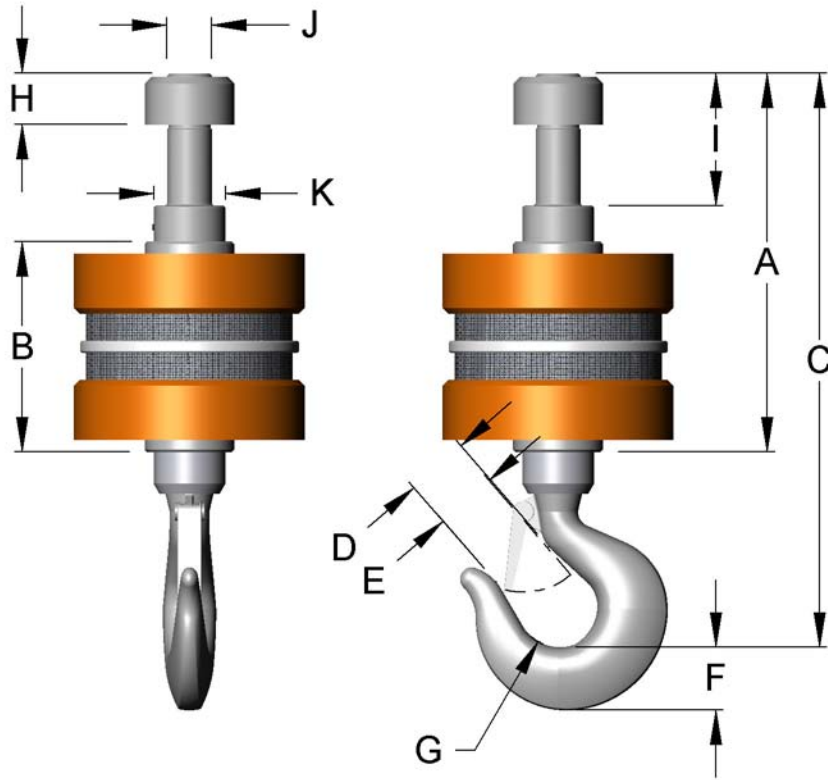
Applications

- Aluminum Smelting
- Transition Metal Reduction
- Industrial Welding

	ISO/LINK-AC™	ISO/LINK-DC™
Rating	33,000 VAC	1,000 VDC
Application	Utilities, High Voltage Test Labs, Crane mfg.	Aluminum Smelters, Base & Transition Metal Reduction Plants
Construction	Cast Polyurethane (Proprietary Process) Interlocking, Fail-Safe Plate Arrangement (All Weather Products)	G-10 Fiberglass Interlocking, Fail-Safe Plate Arrangement (Not For Outside Use)
Comments	Sealed Construction Prevents Moisture & Contaminant Absorption Insuring Insulation Integrity	Inspectable, Repairable High Temperature Range

LOAD INSULATORS- ISO/LINK-DC

NON-SWIVELING STUD TO HOOK - TYPE 14

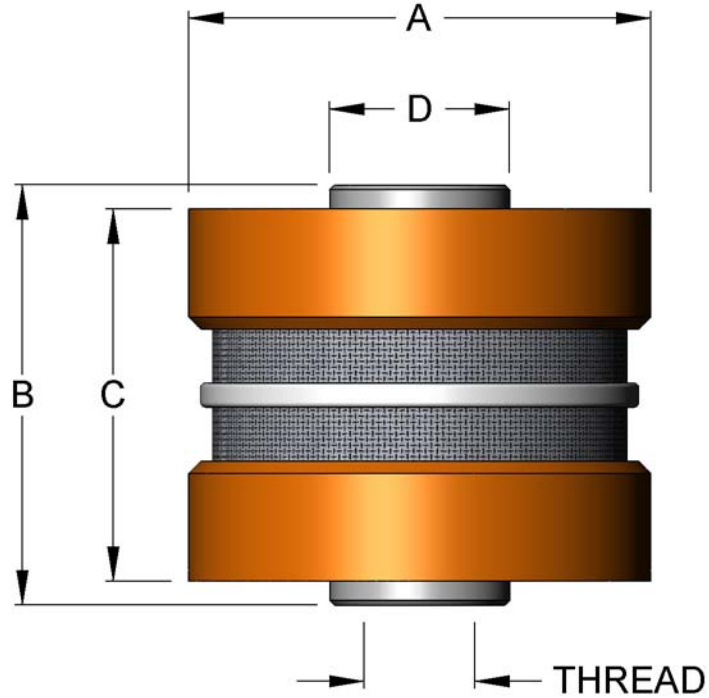


WLL* Tons	Model Number	A	B	C	D	E	F	G	H	I	J	K
5	MLV8-14-5	14.88	8.75	23.31	2.50	2.25	2.59	8.68	1.43	4.62	1.25-7	3
10	MLV8-14-10	13.63	8.75	22.06	2.50	2.25	2.59	8.68	1.31	3.37	1.62-12	3
15	MLV12-14-15	17.18	10.5	27.06	3.37	3	3	11.00	1.56	4.18	1.77-12	4
25	MLV12-14-25	18.31	10.5	30.06	4.00	3.62	3.65	13.62	2.56	5.31	2.25-12	4
35	MLV12.5-14-35	21.43	12.25	33.12	4.25	3.75	4.56	14.06	2.68	6.18	2.5-12	4.75
60	MLV12.5-14-60	26.75	12.25	42.25	5.75	5.12	6	18.50	3.5	14.50	4.00-10	4.5

* Design factor = 5:1

LOAD INSULATORS- ISO/LINK-DC

LINK ONLY



WLL* Tons	Model Number	A	B	C	D	THREAD	Weight Lbs.
10	V1000E	10.00	8.75	7.75	3.75	2.50-8UN	90
25	V1000G	13.30	10.5	8.75	4.50	3.25-8UN	170
60	V1000JJ	12.38	12.25	10.2	5.75	4.00-12UN	225

* Design factor 5:1 (Link only)

SPARE BUMBERS FOR ISO\LINK-DC INSULATING LINKS

Each kit includes upper and lower bumper halves plus hardware

ISO\Link-DC Model	Bumper Kit Part No.	Weight (lbs)
V1000E M	237000007	4
V1000G M	237000016	6
V1000JJ M	237000037	7

BLOCKS- ISO-BLOCKS

Miller® ISO/Block™

With the Miller ISO/Block™, exceptional performance also protects workers from high-voltage hazards. **The ISO/Block integrates our Miller HI-LIFT block and Miller ISO/Link-AC into one assembly** designed to protect workers in case of accidental boom or wire line contact with overhead power lines, which is the single leading cause of electrical injury in the workplace and an increasing area of focus of U.S. workplace safety regulators. Also very useful for isolation in in-plant operations or other hazardous locations.

Electrical Protection

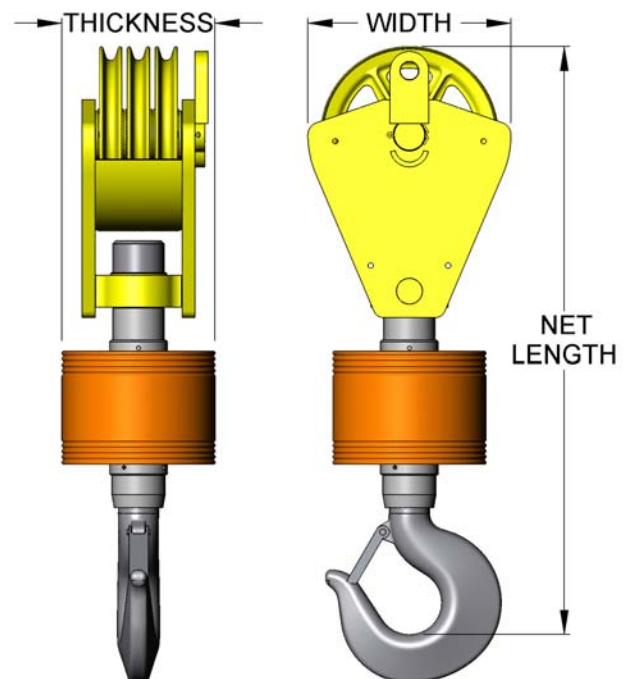
- Molded polymer insulation
- Weatherproof / durable
- Rated to 33,000 volts AC
- Tested at 50,000 volts AC
- Individually certified

Mechanical Integrity

- Load ratings to 120 tons
- Design safety factors
 - ISO/Link, 5:1
 - Block, 4:1
 - ISO/Block, 4:1
- Unique interlocking plate construction

Flexibility

- Available in a number of configurations and capacities
- Simple annual electrical certification test by Miller or by customer





BLOCKS- ISO-BLOCKS

5 TON

WLL* Tons	Model Number	SHEAVE DIA. (in.)	# OF SHEAVES	THICKNESS (in.)	WIDTH (in.)	NET LENGTH (in.)	Weight Lbs.
5	108F5VD1	8	1	7.38	9.5	26.56	110
5	108H5VD1	8	1	7.38	9.5	26.56	160
5	208F5VD1	8	2	7.38	9.5	26.56	120
5	208H5VD1	8	2	7.38	9.5	26.56	170
5	110F5VD1	10	1	7.38	11.5	29.25	130
5	110H5VD1	10	1	7.38	11.5	29.25	200
5	112F5VD1	12	1	7.38	13.5	32.25	180
5	112H5VD1	12	1	7.38	13.5	32.25	280
5	114F5VD1	14	1	7.38	15.5	34.75	200
5	114H5VD1	14	1	7.38	15.5	34.75	360

10 TON

WLL* Tons	Model Number	SHEAVE DIA. (in.)	# OF SHEAVES	THICKNESS (in.)	WIDTH (in.)	NET LENGTH (in.)	Weight Lbs.
10	108F10VE1	8	1	8.63	9.5	31.63	170
10	108H10VE1	8	1	8.63	9.5	31.63	220
10	208F10VE1	8	2	8.63	9.5	31.63	175
10	208H10VE1	8	2	8.63	9.5	31.63	225
10	308F10VE1	8	3	8.63	9.5	32.00	185
10	308H10VE1	8	3	8.63	9.5	32.00	235
10	110F10VE1	10	1	8.63	11.5	34.25	190
10	110H10VE1	10	1	8.63	11.5	34.25	260
10	210F10VE1	10	2	8.63	11.5	34.25	200
10	210H10VE1	10	2	8.63	11.5	34.25	270
10	310F10VE1	10	3	8.63	11.5	35.00	215
10	310H10VE1	10	3	8.63	11.5	35.00	285
10	112F10VE1	12	1	8.63	13.5	36.44	240
10	112H10VE1	12	1	8.63	13.5	36.44	340
10	212F10VE1	12	2	8.63	13.5	36.44	255
10	212H10VE1	12	2	8.63	13.5	36.44	355
10	312F10VE1	12	3	5.25	13.5	31.75	300
10	312H10VE1	12	3	5.25	13.5	31.75	400
10	114F10VE1	14	1	8.63	15.5	37.75	260
10	114H10VE1	14	1	8.63	15.5	37.75	420
10	214F10VE1	14	2	8.63	15.5	37.75	305
10	214H10VE1	16	1	8.63	17.88	42.13	340
10	116F10VE1	16	1	8.63	17.88	42.13	340
10	116H10VE1	16	1	8.63	17.88	42.13	580
10	118F10VE1	18	1	8.63	19.5	44.38	375
10	118H10VE1	18	1	8.63	19.5	44.38	675

15 TON

WLL* Tons	Model Number	SHEAVE DIA. (in.)	# OF SHEAVES	THICKNESS (in.)	WIDTH (in.)	NET LENGTH (in.)	Weight Lbs.
15	210F15VG1	10	2	11.88	11.5	43.00	320
15	310F15VG1	10	3	11.38	11.5	43.00	325
15	310H15VG1	10	3	11.88	11.5	44.13	395
15	212F15VG1	12	2	11.88	13.5	45.25	385
15	212H15VG1	12	2	11.88	13.5	45.25	485
15	312F15VG1	12	3	11.88	13.5	45.25	420
15	312H15VG1	12	3	11.88	13.5	45.25	520
15	114F15VG1	14	1	11.88	15.5	42.63	415
15	114H15VG1	14	1	11.88	15.5	42.63	565
15	214F15VG1	14	2	11.88	15.5	42.63	420
15	214H15VG1	14	2	11.88	15.5	42.63	580
15	314F15VG1	14	3	11.88	15.5	42.63	455
15	314H15VG1	14	3	12.25	15.5	42.63	615
15	116F15VG1	16	1	11.88	17.5	46.50	465
15	116H15VG1	16	1	11.88	17.5	46.50	705
15	216F15VG1	16	2	11.88	17.5	46.50	515
15	216H15VG1	16	2	11.88	17.5	46.50	755
15	118F15VG1	18	1	11.88	19.5	48.50	505
15	118H15VG1	18	1	11.88	19.5	48.50	805



BLOCKS- ISO-BLOCKS

25 TON

WLL* Tons	Model Number	SHEAVE DIA. (in.)	# OF SHEAVES	THICKNESS (in.)	WIDTH (in.)	NET LENGTH (in.)	Weight Lbs.
25	214F25VG1	14	2	11.88	15.5	45.00	450
25	214H25VG1	14	2	11.88	15.5	45.00	610
25	314F25VG1	14	3	11.88	15.5	45.00	485
25	314H25VG1	14	3	12.25	15.5	45.00	645
25	414F25VG1	14	4	11.88	15.5	45.00	625
25	414H25VG1	14	4	11.88	15.5	45.00	845
25	116F25VG1	16	1	11.88	17.5	47.88	510
25	116H25VG1	16	1	11.88	17.5	47.88	750
25	216F25VG1	16	2	11.88	17.5	47.88	540
25	216H25VG1	16	2	11.88	17.5	47.88	780
25	316F25VG1	16	3	11.88	17.5	47.88	615
25	316H25VG1	16	3	11.88	17.5	47.88	855
25	118F25VG1	18	1	11.88	19.5	48.50	530
25	118H25VG1	18	1	11.88	19.5	48.50	830
25	218F25VG1	18	2	11.88	19.5	48.50	565
25	218H25VG1	18	2	11.88	19.5	48.50	865
25	318F25VG1	18	3	11.88	19.5	49.75	625
25	318H25VG1	18	3	15.88	19.5	49.75	925
25	120F25VG1	20	1	11.88	21.5	52.13	600
25	120H25VG1	20	1	11.88	21.5	52.13	965
25	220F25VG1	20	2	11.88	21.5	52.13	645
25	220H25VG1	20	2	11.88	21.5	52.13	1010

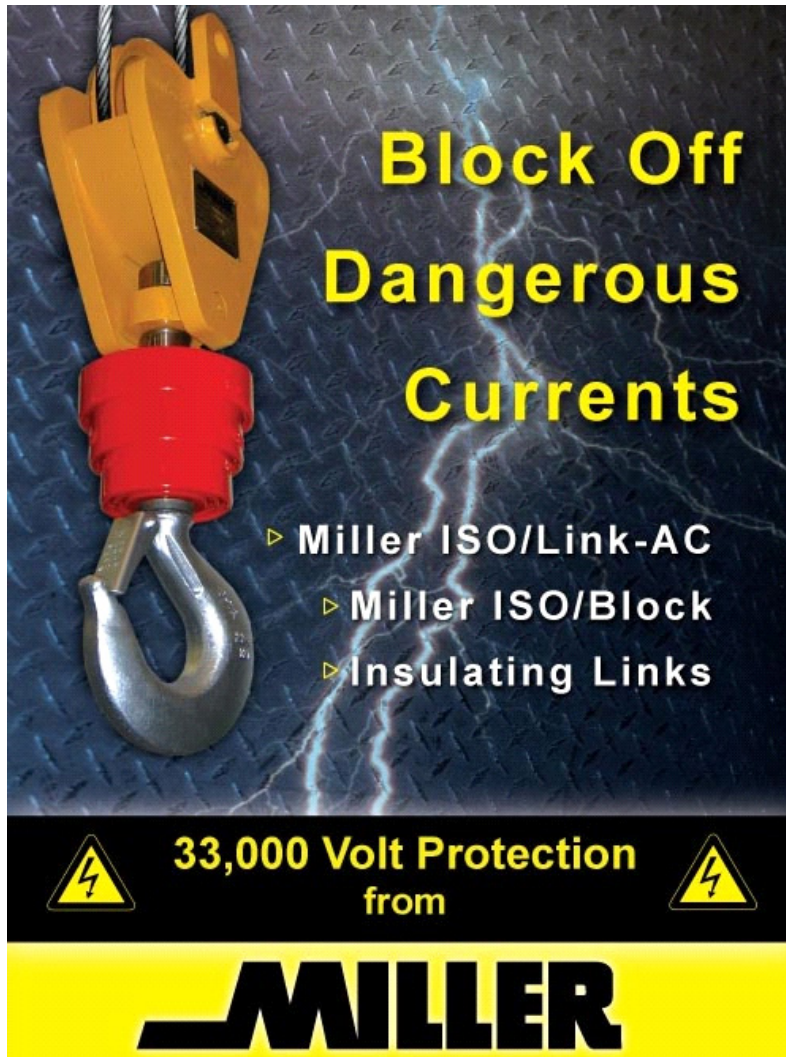
35 TON

WLL* Tons	Model Number	SHEAVE DIA. (in.)	# OF SHEAVES	THICKNESS (in.)	WIDTH (in.)	Weight Lbs.
35	314F35VJJ1	14	3	12.38	15.5	590
35	314H35VJJ1	14	3	12.38	15.5	810
35	414F35VJJ1	14	4	12.38	15.5	690
35	414H35VJJ1	14	4	12.38	15.5	910
35	514F35VJJ1	14	5	12.38	15.5	825
35	514H35VJJ1	14	5	12.38	15.5	1045
35	216F35VJJ1	16	2	12.38	17.5	610
35	216H35VJJ1	16	2	12.38	17.5	850
35	316F35VJJ1	16	3	12.38	17.5	680
35	316H35VJJ1	16	3	12.38	17.5	920
35	416F35VJJ1	16	4	12.38	17.5	810
35	416H35VJJ1	14	4	12.38	17.5	1050
35	516F35VJJ1	16	5	12.38	17.5	1005
35	516H35VJJ1	14	5	12.38	17.5	1245
35	218F35VJJ1	18	2	12.38	19.5	635
35	218H35VJJ1	18	2	12.38	19.5	935
35	318F35VJJ1	18	3	12.38	19.5	690
35	318H35VJJ1	18	3	12.38	19.5	990
35	220F35VJJ1	20	2	12.38	21.5	720
35	220H35VJJ1	20	2	12.38	21.5	1085
35	320F35VJJ1	20	3	12.38	21.5	790
35	320H35VJJ1	20	3	12.38	21.5	1155
35	124T35VJJ1	24	1	12.38	26.63	1480
35	124TF35VJJ1	24	1	12.38	26.63	1055
35	224T35VJJ1	24	2	12.38	26.63	1585
35	224TF35VJJ1	24	2	12.38	26.63	1170

BLOCKS- ISO-BLOCKS

60 TON

WLL* Tons	Model Number	SHEAVE DIA. (in.)	# OF SHEAVES	THICKNESS (in.)	WIDTH (in.)	Weight Lbs.
60	516F60VJJ1	16	5	12.38	17.5	1285
60	516H60VJJ1	16	5	12.38	17.5	1555
60	418F60VJJ1	18	4	12.38	19.5	1235
60	418H60VJJ1	18	4	12.38	19.5	1525
60	518F60VJJ1	18	5	12.38	19.5	1335
60	518H60VJJ1	18	5	12.38	19.5	1625
60	320F60VJJ1	20	3	12.38	21.5	1170
60	320H60VJJ1	20	3	12.38	21.5	1570
60	420F60VJJ1	20	4	12.38	21.5	1335
60	420H60VJJ1	20	4	12.38	21.5	1735
60	520F60VJJ1	20	5	12.38	21.5	1540
60	520H60VJJ1	20	5	12.38	21.5	1940
60	224T60VJJ1	24	2	12.38	26.63	1875
60	224TF60VJJ1	24	2	12.38	26.63	1325
60	324T60VJJ1	24	3	12.38	26.63	2175
60	324TF60VJJ1	24	3	12.38	26.63	1675



**Block Off
Dangerous
Currents**

- ▷ Miller ISO/Link-AC
- ▷ Miller ISO/Block
- ▷ Insulating Links

**33,000 Volt Protection
from**

MILLER